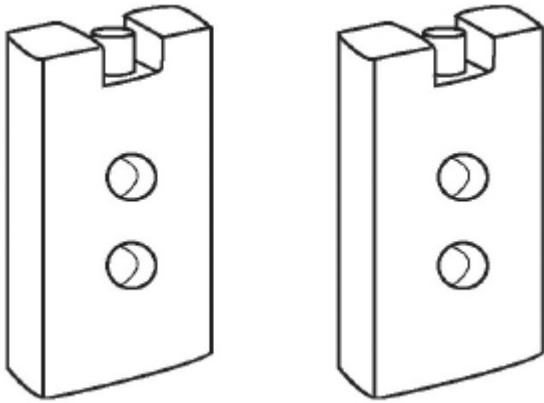


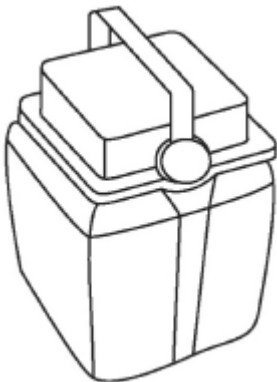
Equipments

Source: *Immunization in Practice, WHO*

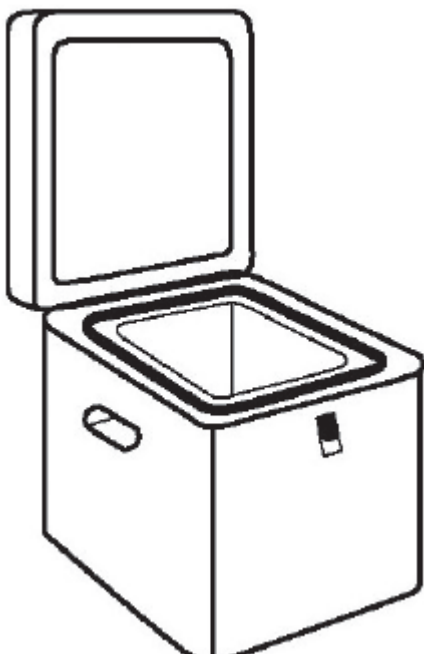
1. Ice Pack Pictures:



2. Vaccine Carrier Picture:



3. Cold Box Picture:

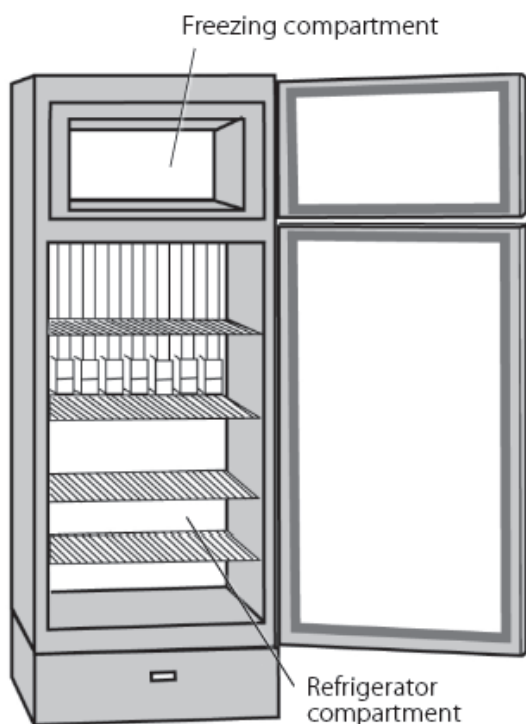


Equipments

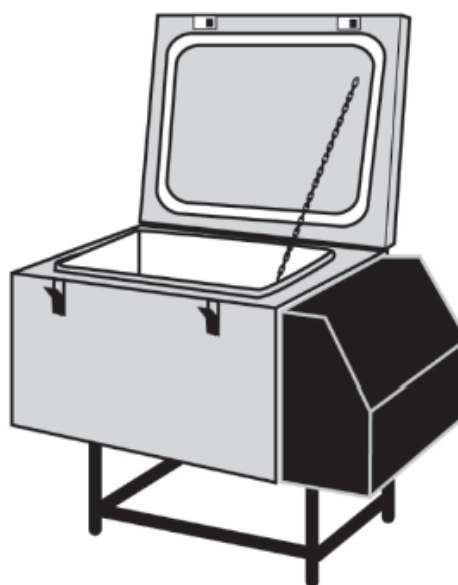
Source: Immunization in Practice, WHO

4. Refrigerator Pictures:

Refrigerator and ice pack freezer, absorption, kerosene/electric



Compression (electric) refrigerator and ice-pack freezer



5. Foam Pads

A foam pad is a piece of soft foam that fits on top of the ice-packs in a vaccine carrier. There are some incisions on it to allow vaccines to be inserted in the foam. During immunization sessions, the foam pad serves as a temporary lid to keep unopened vaccines inside the carrier cool while providing a surface to hold, protect and keep cool opened vaccine vials. Previously, ice packs were used to keep vaccines cool during immunization sessions outside of vaccine carriers. It is now recommended to use the supplied foam pads for this purpose. A foam pad in use:

Equipments

Source: *Immunization in Practice*, WHO

